

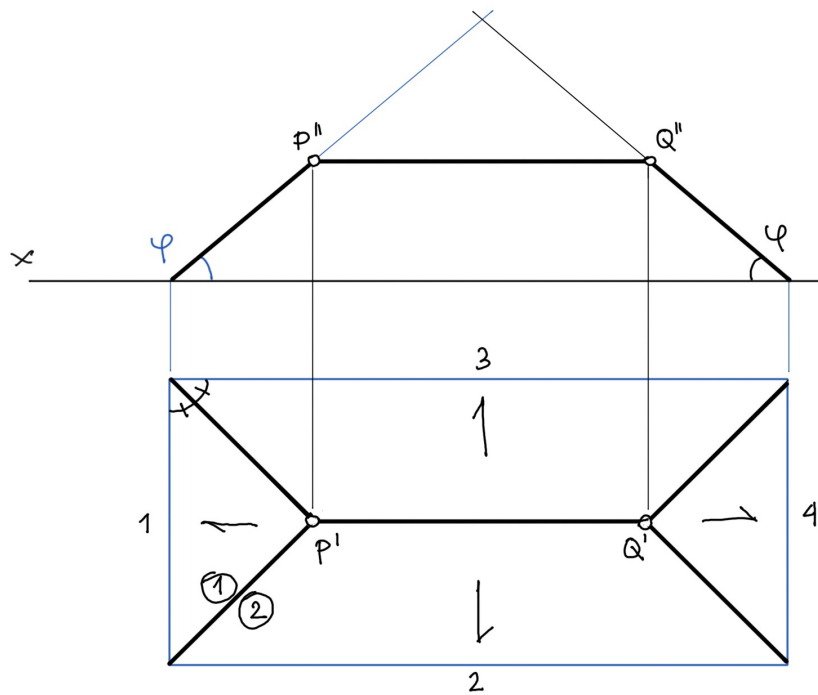
ROOFS ON BUILDINGS WITH A NEIGHBOUR



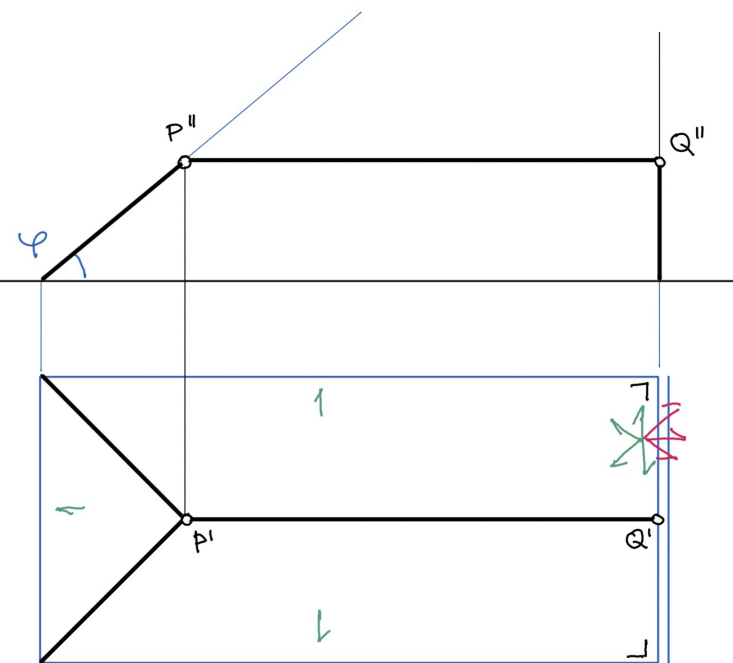
Lecture 14
16 Jan 2023

- 1) Same assumptions as for roofs on detached buildings.
- 2) "A neighbour" is e.g. a building or a plot.
- 3) Water (snow) cannot fall in the direction of the neighbour.

Free-standing



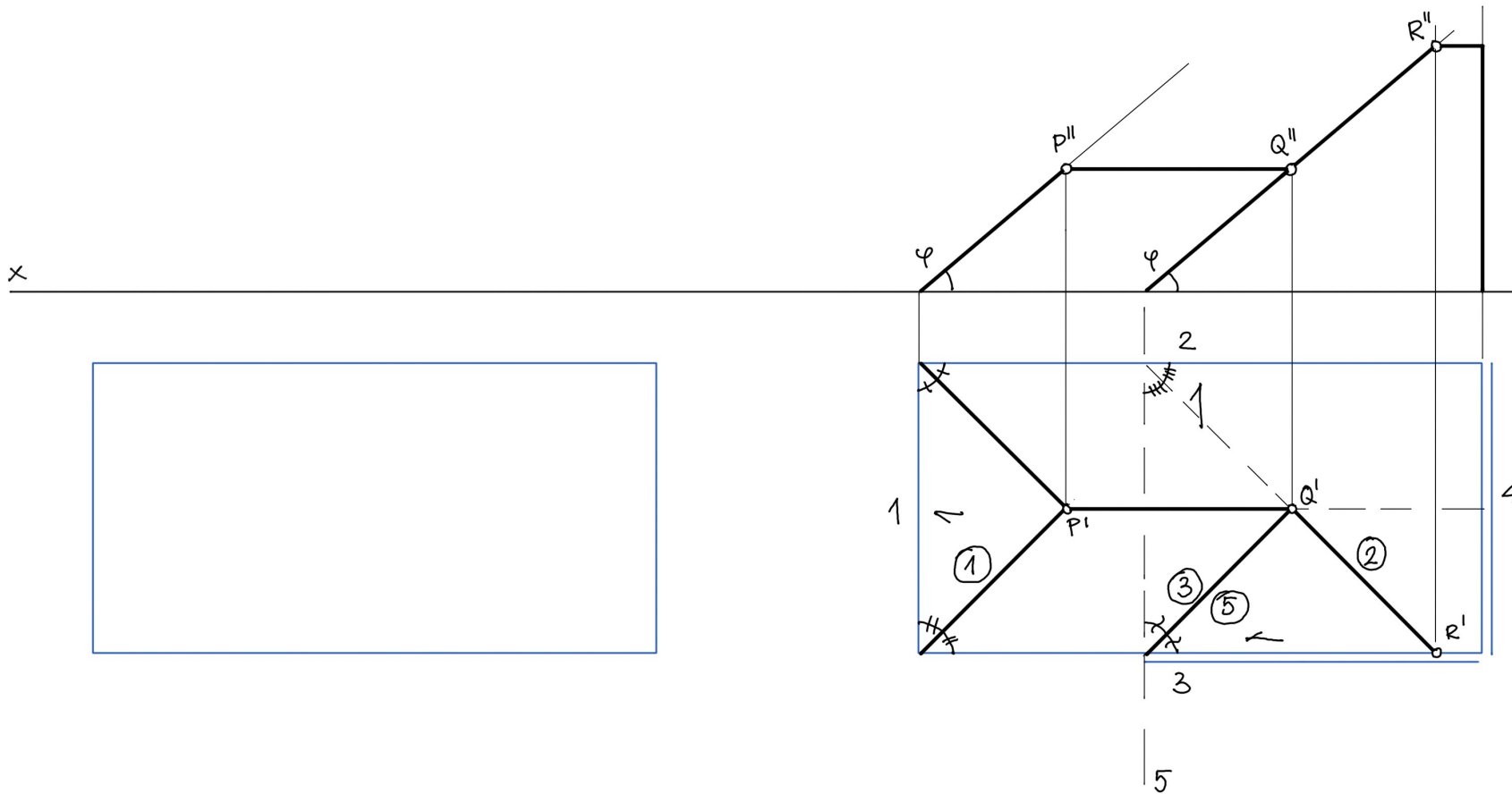
With neighbour



Free-standing

?

With neighbour



Free-standing

?

With neighbour

